

## Product description

# CBX – Connection box [Active supply air diffuser]

## Introduction CBX

CBX is used to connect supply air diffuser TTC and VTD to the combined voltage supply and communication loop and to connect sensors and other accessories to the active diffuser. The box is of standard type and contains a circuit board with removable screw terminals.

The active diffuser is connected to CBX, which in turn is connected to the communication loop. Lindinvent's standard cable with conductor for voltage supply (24 VAC) and two twisted pair conductors for communication is used both in the design of the communication loop and when accessories are connected to CBX and the active diffuser.



CBX – Connection box to an active supply air diffuser.

## Technical specifications

### General

#### Dimension

121 x 80 x 41 mm (LxWxH)

#### Material

Thermoplastic encapsulation

#### Colour

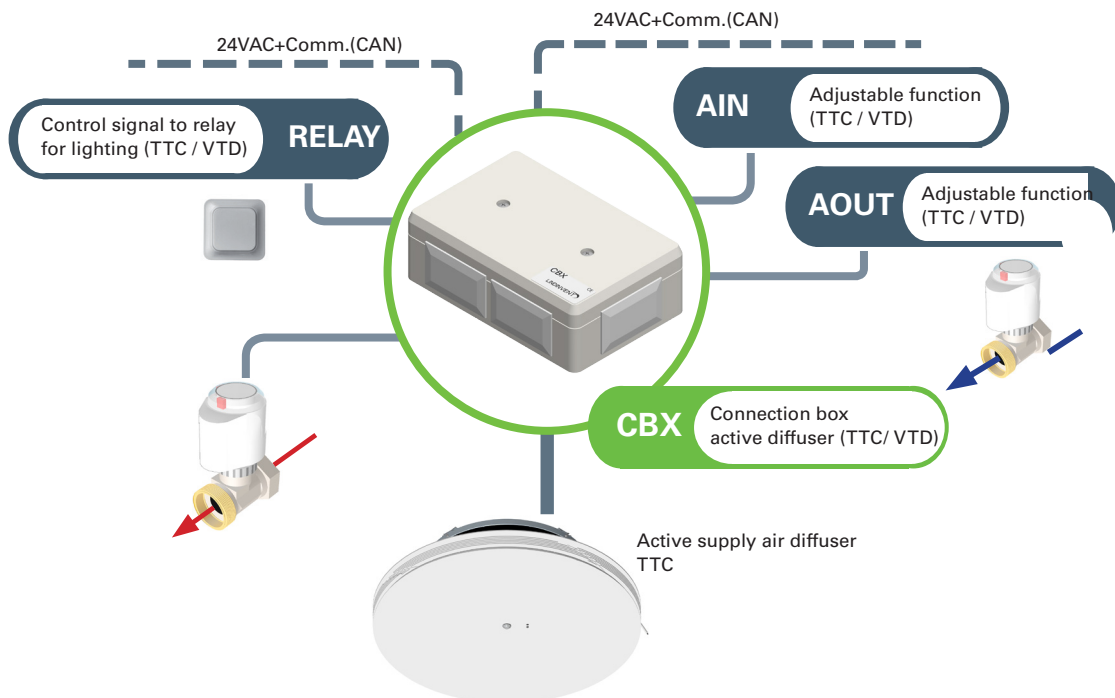
White

#### IP class

Encapsulation complies with IP44

### Connections (contacts)

- 2 x for 24 VAC + Communication loop(CAN)
- 1 x for lighting control box CBR (relay, push button)
- 1 x 24 VAC, TRIAC (intended for valve actuator)
- 1 x for airflow balancing slave control with GFI (GFI and this connection are not in use since DCV-BL was introduced.)
- 2 x for AIN-/AOUT (connection for sensors etc)
- 1 x 8-pole and 1 x 6-pole for connection to active diffuser



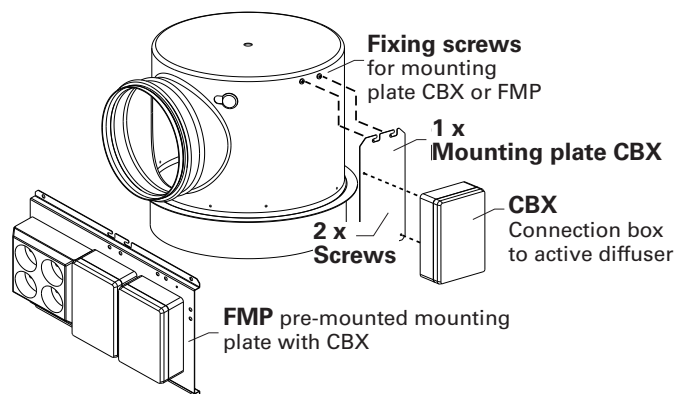
Connection diagram: Connection box CBX.

## Product description

# CBX – Connection box [Active supply air diffuser]

## Accessories

To simplify mounting and connection of CBX in combination with e.g. lighting system control box CBR, the pre-connected mounting plate FMP can be ordered. The mounting plate, which can be fixed on the plenum box, comes in several versions. Mounting plate CBX with fixing screws is the accessories that normally accompanies plenum box HTK 160/250 C.



Mounting plate CBX is supplied with the plenum box. FMP can be ordered as an accessory to HTK with pre-mounted units. The mounting plate is fixed to the plenum box using the fixing screws that are already fitted on delivery.

## Additional product documentation CBX

Table 1: Additional documentation for CBX can be obtained via links on the product's website under Products at [www.lindinvent.se](http://www.lindinvent.se)

Document	Available	Not available	Comments
Installation Instruction	●		Shows the connection of the 14-conductor cable from the active supply air diffuser
Start-up instruction		●	Not applicable. See active supply air diffuser TTC or VTD
Maintenance instruction		●	Regarded as maintenance-free
External connection diagram	●		
Environmental product declaration	●		Assessed by Byggsvarubedömningen and Sundahus
User information		●	Not applicable
Modbus list		●	Not applicable
AMA text		●	See active diffuser TTC or VTD

Product documentation can be downloaded via [www.lindinvent.se/produkter/](http://www.lindinvent.se/produkter/)



### Contact

[www.lindinvent.se](http://www.lindinvent.se)  
Tel: 046-15 85 50

Lindinvent – Smarter indoor climate. **Greener** buildings.

The company offers products and systems for controlling ventilation, lighting, solar shading and local utilization. Equipment and climate solutions are being developed for offices, schools, hospitals, laboratories and similar working environments. Lindinvent's systems work together to provide high indoor comfort and the lowest possible energy use.