

DAS – Transformer [Circular duct]

Version B

Introduction DAS

DAS is a circular outlet that is used to mount a ceiling supply air diffuser directly into a circular duct via a nipple connection. DAS can also be used for installations where the plenum box cannot be installed as normal, i.e. immediately above the suspended ceiling. Here, DAS can be used to extend the outlet on the plenum box. See appendix *Installation alternatives DAS* for different applications.

Adjustable

The fixing brackets in the outlet can be adjusted approximately 15 mm downwards so that the diffuser can meet the lower surface of the suspended ceiling.

Order information

Transformer, Lindinvent AB,
type DAS-A-XXX-G:

Size: XXX = 250, 400

Material: Galvanised (G)

Example: DAS-A-250-G

Technical specifications

General

Size: Ø250, Ø400

Weight

DAS-250: 1.0 kg

DAS-400: 1.8 kg

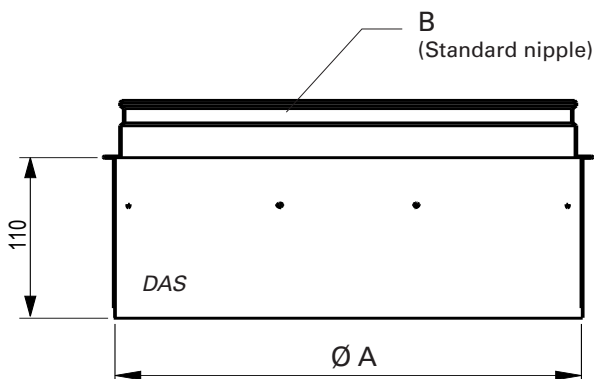
Material

DAS is supplied as standard in galvanised steel plate. It is equipped with a EPDM-rubber ring seal.

Dimension

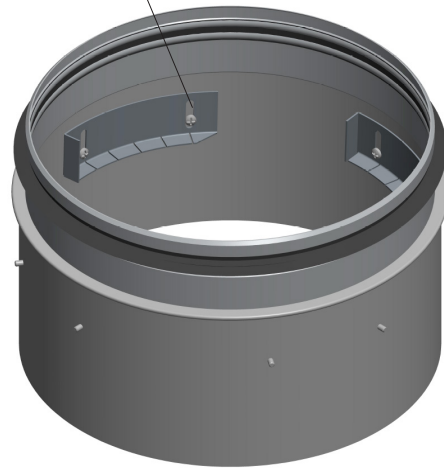
Table 1: Dimension according to figure below.

Transformer Circular	ØA (mm) Internal	B Nipple (Std)
DAS250	254.5	250
DAS400	406.0	400

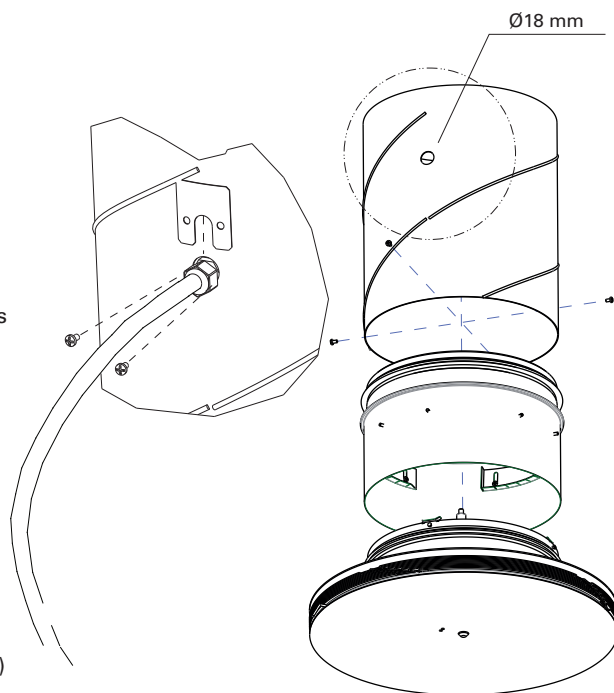


The length of both DAS-250 and DAS-400 is 110 mm. Diffuser connection A and duct connection B according to table 1.

4 x fixing brackets for bayonet fitting



DAS, Transformer



When mounting DAS on ducting, a Ø18 hole is required for throughput and anchoring of diffuser cable. The cable throughput must be anchored with a locking plate.

DAS – Transformer [Circular duct]

Version B

Additional product documentation DAS

Table 2: Additional documentation for DAS can be obtained via links on the product's website under Products at www.lindinvent.se

Document	Available	Not available	Comments
Installation Instruction	●		Hole making for cable throughput
Start-up instruction		●	Not applicable
Maintenance instruction		●	Maintenance-free
External connection diagram		●	Not applicable
Environmental product declaration	●		Assessed by Sundahus and Byggvarubedömningen
User information		●	Not applicable
Modbus list		●	Not applicable
AMA text		●	See accessories in AMA text for ceiling supply air diffuser TTC