



Monitor - FLOCHECK P.

INTRODUCTION

FLOCHECK P is, like FLOCHECK V and FLOCHECK F, used as monitor or guard for a number of Lindinvent's controllers.

FUNCTIONS

Installed as control and safety equipment.

- Used as guard with a LAF bench and draught divert controller LAFLb.
- Monitor for differential pressure controller DPLb and other controllers that work continuously in one operating mode.
- Active screen where users, without logging in, can view the current value for pressure, differential pressure or airflow as well as damper angle depending on which regulator is connected.
- Shows the operating mode status in plain text.
- Used for logging in to the controllers main menu.
- Provides an acoustic alarm via buzzer and/or optical alarm through LEDs.
- Easily connected via FTP cable (RJ45).

Operating mode is set via the keypad. Authorised users can navigate in the code protected menu to set or alter parameter values.

ALARM

A green LED indicates normal operation. Illuminated red LED and plain text message indicate alarm. A buzzer tone can be activated to reinforce the alarm.

DESIGN FU OR FB

FLOCHECK P is available with the network cable either protruding from the top (FU) or the back side (FB) of the encapsulation.



FLOCHECK P - Model FU.

TEKNICAL SPECIFICATIONS

General

Dimension

103 x 82 x 30 mm (LxWxH)

Net weight

0.270 kg (Including cable)

Material

ABS encapsulation

Miscellaneous

Supplied with network cable (3 m) with RJ45 jack for connection to fume cupboard controller FCLb. Equipped with a snap off bottom lid.

Display

LCD technology: FSTN
Resolution: 128x64 pixels
Backlit with white LEDs
Screen size: 58x29.5 mm

Colour

RAL 9003

IP class

Encapsulation complies with IP54

Electrical system

Supply voltage

From controller

Output

2.5 VA

CE marking

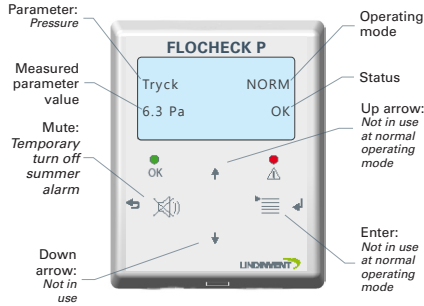
Complies with EMC and the Low Voltage Directive



FLOCHECK P – Manual
LAF bench draught diverter guard

About the equipment

FLOCHECK P is a panel that warns staff for an incorrect negative pressure in the LAF bench's draught diverter. The panel is connected to a controller which, via damper control, maintains a prescribed negative pressure. The negative pressure is used to control airflow direction, thus preventing uncontrolled dispersion of hazardous substances and dust. Setpoints and alarm limits are set according to current rules. Changes to settings may only be made by an authorized technician. In case of suspicion of malfunction, contact your supervisor. Deviations from specified values may occur.



Function

FLOCHECK P monitors the actual negative pressure in the draft diverter. Status is indicated through text messages, summer tone and the activation of LEDs.

Operating mode

Normal mode (NORM)

Green LED and "OK" in the display's status bar indicates that measured air pressure is within specified limits. The LAF-bench continuously operates in the operating mode that maintains the desired negative pressure.

Flashing red LED with summer tone warns that the pressure is not negative enough. "Low pressure!"; appears in the display. In this case "Low pressure!" indicates a less negative pressure than required. The summer can temporarily be switched off by pressing <Mute>. As a reminder, the buzzer returns after 20 minutes.

Flashing red LED without summer tone indicates a higher negative pressure than the setpoint; "High Pressure!" appears in the display. Here "High Pressure!" indicates a higher than required negative pressure in the draught diverter. This is normally not a serious malfunction but it needs your attention.

When the bench is not in active use: Turn it off. The negative pressure in the draught diverter is maintained while energy usage and wear are reduced.

Settings

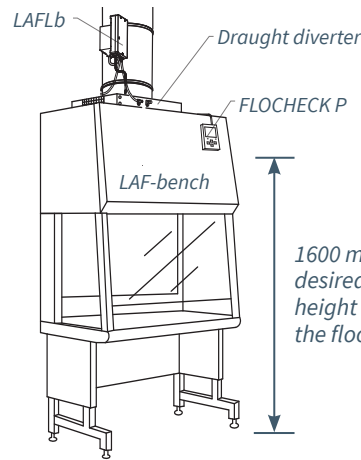
Settings are only made by an authorised technician using the code protected menu system in FLOCHECK P.

FLOCHECK_P_LAFLb_LAFL_SDU_B1143
Artnr: 00MAN-LAF



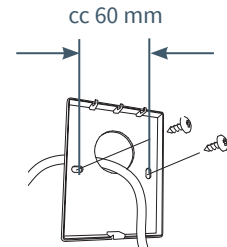
Copy of the laminated user guide/manual for FLOCHECK P as LAF-bench guard.

INSTALLATION



FlocHECK P mounted on a LAF-bench.

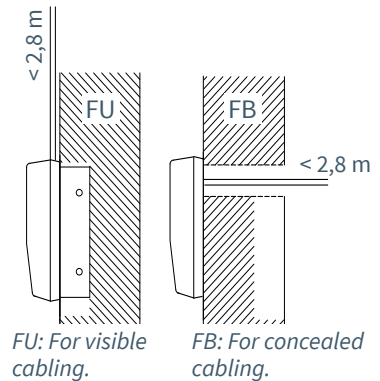
NOTICE:
Distance from panel to controller <2800 mm or the length of the wiring with extension.



Model FB mounting on wall.

ORDER INFORMATION

When ordering, state which variant of FLOCHECK P is intended. FLOCHECK P FU for visible cabling or FLOCHECK P FB for concealed cabling. See illustrations below.



FlocHECK P with the network cable protruding from the upper edge of the panel (FU) or from the back (FB).

FU: For visible cabling.

FB: For concealed cabling.

ADDITIONAL PRODUCT DOCUMENTATION

Available at the product homepage on www.lindinvent.com

Document	Comment
Installation instruction	Some instructions are included within the product description.
Start-up instrction	Available in swedish. Driftsättningsanvisning LAFLb.
Maintenance instruction	Not available. Regarded as maintenance-free.
Externa connection diagram	Not relevant. FLOCHECK P is connected to the controller via FTP cable with a pre-mounted jack.
Building material declaration	Assesed by Byggarubedömningen.
User Guide	Available on the homepage and as a 2-page manual.
Modbuslist	Not relevant.
AMA-text	Available for LAFLb. Not translated.