



Fume cupboard guard - FLOCHECK V.

INTRODUCTION

FLOCHECK V is used as a fixed panel for fume cupboard controller FCLb. The panel is installed together with FCLb as part of the cupboard safety equipment.

FUNCTION

FLOCHECK V displays the current status and its operating mode both with plain text and LEDs. In normal operation the air speed is controlled to 0.55 m/s in the fume cupboard opening regardless of the position of the hatch up to the marked safety level.

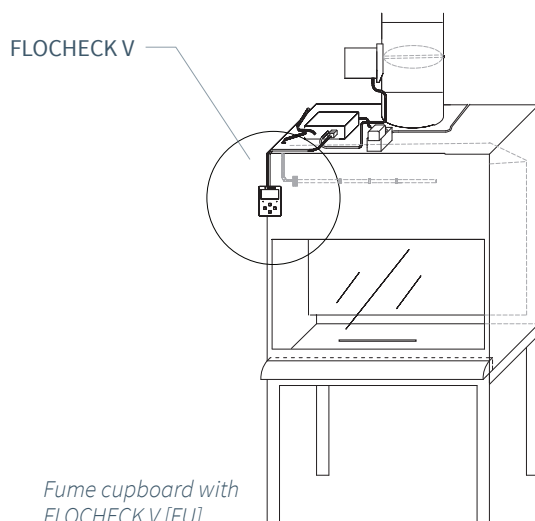
Operating mode is set via the keypad. Authorised users can navigate in a code protected menu to set or alter parameter values.

ALARMS

A lit green LED indicates that the measured air speed is within expected range. An alarm is activated when "Emergency mode" (air speed in the opening is increased to 0.8 m/s) is entered or when the measured air speed does not correspond to expected values. Alarm is indicated by FLOCHECK V both optically and acoustically with a red LED and a buzzer tone.

DESIGN FU OR FB

To support different mounting options FLOCHECK V can be ordered with the network cable for visible cabling (FU) or for concealed cabling (FB).



Fume cupboard with FLOCHECK V [FU].

TEKNICAL SPECIFICATIONS

General

Dimension

103 x 82 x 30 mm (LxWxH)

Net weight

0.270 kg (Including cable)

Material

ABS encapsulation

Miscellaneous

Supplied with network cable (3 m) with RJ45 jack for connection to fume cupboard controller FCLb. Equipped with a snap off bottom lid.

Display

LCD technology: FSTN
Resolution: 128x64 pixels
Backlit with white LEDs
Screen size: 58x29.5 mm

Colour

RAL 9003

IP class

Encapsulation complies with IP54

Electrical system

Supply voltage

From controller

Output

2.5 VA

CE marking

Complies with EMC and the Low Voltage Directive

FLOCHECK V – Manual

Fume Cupboard Opening safety

About the equipment
 FLOCHECK V is a panel that warns personnel at an insufficient air velocity in the associated fume cupboard. The panel also warns when the cupboard is temporarily in an operating mode with a reduced airflow. Connected controller keeps the desired air velocity regardless of the sash opening position up to the marked security level. Setpoints and alarm limits are set according to current regulations. Changes to settings may only be made by an authorized technician. In case of suspicion of malfunction, contact a safety representative or a supervisor. Deviations from these specified values of settings may occur.

Parameter:
Air velocity

Measured parameter value

Return:
Mute

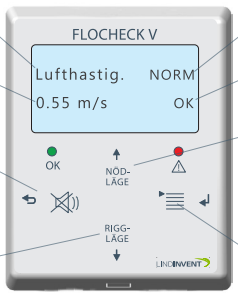
Down arrow:
Rigg mode on or off

Operating mode

Status

Up arrow:
Emergency mode on or off

Enter:
Used in operation at Rigg mode



Function
 FLOCHECK V shows the current status and selected mode of operation using its display, buzzer sound and LEDs. In normal operation the associated controller maintains an air velocity around 0.55 m/s at the opening of the fume cupboard regardless of the sash position up to the marked safety level.

Operating modes
Normal [NORM]
 Green LED and status "OK" indicates an air velocity between 0.5–1.0 m/s.
 Flashing red LED *with* summer tone alarms at an air velocity less than 0.5 m/s. The buzzer can temporarily be switched off by pressing <Mute>. Without any other action, the buzz returns after 20 minutes.
 Flashing red LED *without* summer tone indicates an air velocity above 1.0 m/s.

When the cupboard is not in active use: Gently pull down the sash to its bottom position. The fume cupboard retains its function while reducing energy usage and wear.

Emergency mode [Nödläge]
 The air velocity is increased to 0.8 m/s and the buzzer sounds. This operating mode allows for rapid evacuation of air when required. Activate and deactivate by pressing <NÖDLÄGE>.

Rigg mode [Riggläge]
 Temporarily activates the reduced stand-by airflow. Before Rigg Mode is activated, the question "Är du säker?" (Are you sure?) needs to be answered with "Ja" (Yes); "Nej" (No) is default. "Ja" (Yes) is selected with <Down arrow> followed by <Enter>. This mode is recommended during installation and cleaning. Deactivate by pressing <RIGGLÄGE> again. Otherwise deactivated automatically after 4h. Rigg mode is indicated by flashing red and green LEDs.

Power supply interlocking (Requires an installed contactor)
 Power supply to the outlets can be broken after the set time for interlocking. Pressing <Mute> can temporary leave the outlets with power. Power supply is reset by pressing <Enter> when the air velocity is OK and the display shows "Tryck enter för återställning" (Press Enter for reactivating). An external reset button can be connected.

Settings
 Settings can be changed by an authorised technician using the code protected menu system in FLOCHECK V.

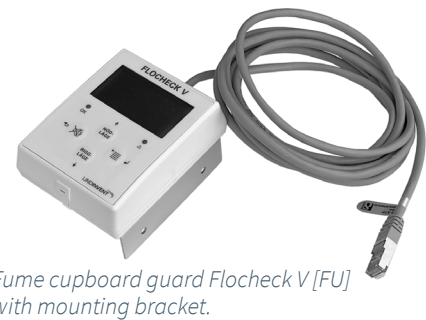
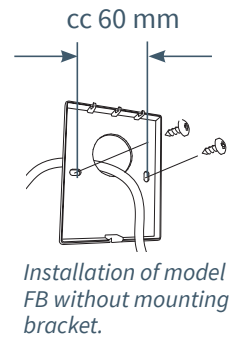
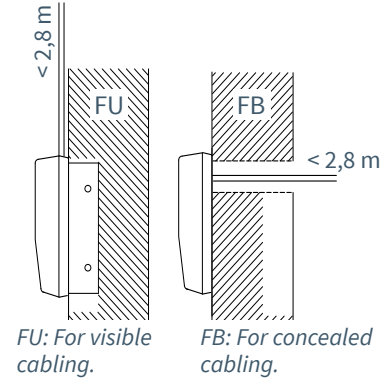
FLOCHECK-V_FcV10_FCLb_FCC_B1165
 Artno: 00MAN-DS

Copy of the laminated user guide/manual for FLOCHECK V.

ORDER INFORMATION

When ordering, state which variant of FLOCHECK V is intended. FLOCHECK V FU, for visible cabling, can be ordered with or without mounting bracket. FLOCHECK V FB, for concealed cabling, lacks mounting bracket. See illustration below for a description of the two variants.

Floccheck V with the network cable protruding from the upper edge of the panel (FU) or from the back (FB). Version FU can be ordered with or without the bracket for assembly.



ADDITIONAL PRODUCT DOCUMENTATION

Available at the product homepage on www.lindinvent.com

Document	Comment
Installation instruction	See some instructions here in the product description.
Start-up instrction	Available in swedish. Driftsättningsanvisning FCLb.
Maintenance instruction	Not available. Regarded as maintenance-free.
Externa connection diagram	Not relevant. FLOCHECK V is connected to the controller via FTP cable with pre-mounted jack.
Building material declaration	Assesed by Byggvarubedömningen.
User Guide	Available on the homepage as a 2-pager manual.
Modbuslist	Not relevant.
AMA-text	Available for FCLb. Not translated.