

# FMP – Pre-connected mounting plate [CBX]

## Introduction FMP

FMP is a mounting that is intended to simplify connecting an active supply air diffuser. Connection box CBX is pre-mounted onto the mounting plate. Depending on the version of FMP, lighting system control box CBR can also be pre-mounted and connected, with or without branch connector. All versions can be ordered with various pre-mounted Wago connections.

The mounting plate is designed to be easily fitted on plenum box HTK, which is used together with active supply air diffusers.

The following versions of the mounting plate are available to order:

- FMP-X (CBX)
- FMP-XR (CBX and CBR)
- FMP-XRU (CBX, CBR and 4-way branch connector)

Note: The branch connector is only intended for lighting, maximum load 3 A.

See separate appendix for presentation of versions with Wago connections.

## Function

FMP simplifies connection during installation.

With mounting plate FMP-XRU in position, only the following connections are needed:

- 230 VAC is connected on CBR
- The cabling from the diffuser is connected to CBX
- The power and communication loop is connected to CBX



FMP-XRU. Pre-connected mounting plate with connection box CBX, lighting relay box CBR and a branch connector.



FMP-XRU mounted on a plenum box to an active supply air diffuser.

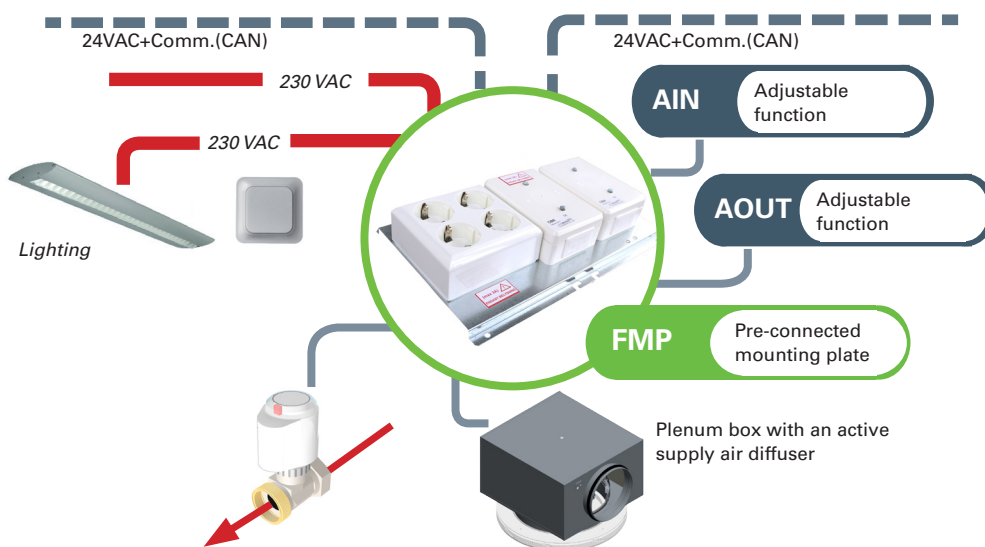
## Technical specification

### General

**Dimension**  
300x195x50 mm (LxWxH)

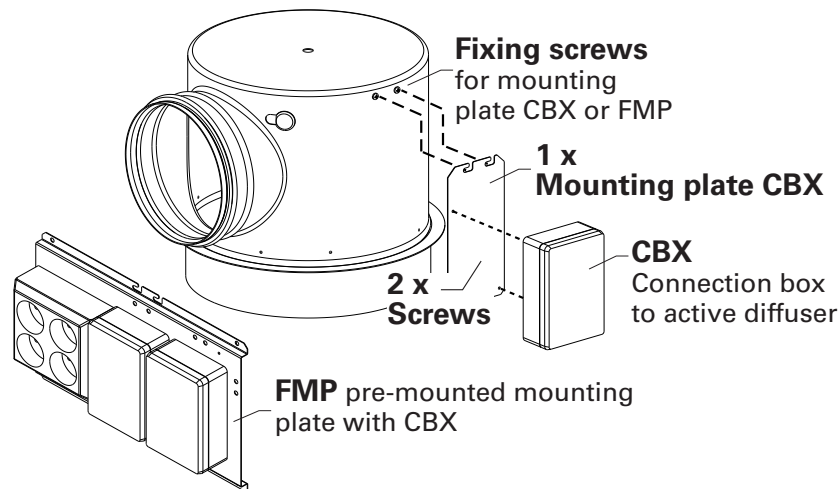
**Material**  
Mounting plate: Galvanised steel plate.

For technical description of connection box CBX and lighting control box CBR, see the respective product descriptions.



Connection diagram FMP Connection box CBX is connected to the active supply air diffuser via the cable that is pre-mounted on the diffuser. Via CBX the diffuser is connected to the combined power supply and communication loop.

## FMP – Pre-connected mounting plate [CBX]



Mounting plate CBX is supplied with the plenum box. FMP can be ordered as an accessory to HTK with pre-mounted units. The mounting plate is fixed to the plenum box using the fixing screws that are already fitted on delivery.

### Additional product documentation FMP

Table 1: Additional documentation for FMP can be obtained via links on the product's website under Products at [www.lindinvent.se](http://www.lindinvent.se)

Document	Available	Not available	Comments
Installation Instruction		●	See external connection diagram and installation instruction for CBX and CBR for connection. The mounting plate has holes for mounting on a plenum box, cable rack or elsewhere.
Start-up instruction		●	Not applicable
Maintenance instruction		●	Regarded as maintenance-free
External connection diagram	●		
Environmental product declaration	●		Assessed by Byggvarubedömningen and Sundahus
User information		●	Not applicable
Modbus list		●	Not applicable
AMA text		●	None

Product documentation can be downloaded via [www.lindinvent.se/produkter/](http://www.lindinvent.se/produkter/)



#### Contact

[www.lindinvent.se](http://www.lindinvent.se)  
Tel: 046-15 85 50

Lindinvent – Smarter indoor climate. **Greener** buildings.

The company offers products and systems for controlling ventilation, lighting, solar shading and local utilization. Equipment and climate solutions are being developed for offices, schools, hospitals, laboratories and similar working environments. Lindinvent's systems work together to provide high indoor comfort and the lowest possible energy use.