

Product description

HMK250/400 – Plenum box [concealed mounting; reactive diffuser]

Introduction HMK250/400

HMK is a plenum box for reactive supply air diffuser MTN-400 or MTC-400.

- It is used for concealed mounting above the suspended ceiling system.
- Equipped with removable inserts for air flow adjustment.
- Sound damping.
- Duct connection 250.
- Fixing brackets for bayonet fitting of the diffuser.
- Equipped with a nipple for pressure measurement.

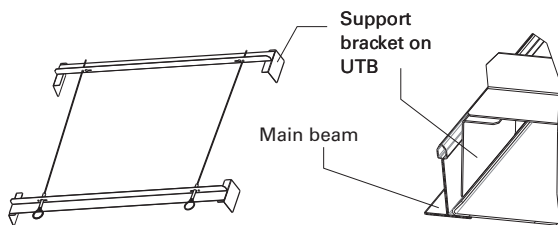
Function

The plenum box is used for mounting and securing Lindinvent's active ceiling supply air diffuser TTC-400 in a dropped ceiling.

Mounting rail UTB-400 (Accessory)

The mounting rail UTB is used and normally comes with the plenum box on delivery as a mounting accessory. The thickness of the ceiling plate(tile) must not exceed 40 mm and the profile should be one of the most common profiles on the market. In other cases, the plenum box is mounted without mounting rail. When ordering, type of ceiling plate (edge A / D / E etc.) is specified together with the distance from the bottom of the main beam to the lower ceiling plate.

Note: The thickness of the ceiling tile must not exceed 40 mm.



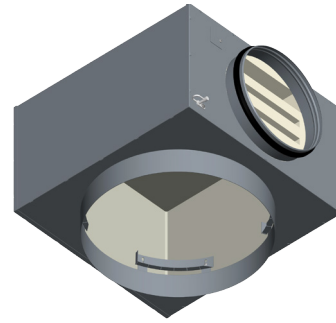
Mounting rail UTB with the support bracket correctly positioned on the inside of the dropped ceiling main beam. If cover plate UTD is used, the support bracket must be placed between the inside of the main beam profile and the outer edge of cover plate UTD.

Cover plate UTD-400 C (Option)

Suspended cover plate UTD-400 C can be ordered as an accessory. The plate is designed for mounting in a dropped (suspended) ceiling system with ceiling tile profile edge A, 600 x 600 mm.



Ceiling plate UTD-400 C is used with ceiling tile profile edge A.



HMK-250/400 – Plenum box for concealed mounting of the reactive diffuser.

Technical specifications

General

Dimensions (mm)

See illustrations below.

Material

Galvanised steel plate.

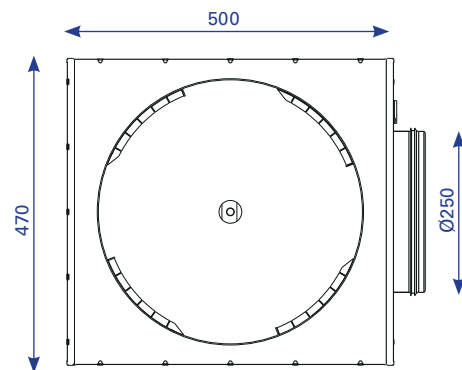
Insulation: Thermally bound polyester fibre.

Weight

HMK-250/400: 7.6 kg.

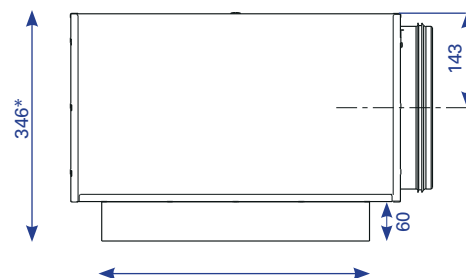
Pressure, flow and sound levels

See Product description for supply air diffuser MTC or MTN.



HMK-250/400: View from below.

Note: Height measurement from the bottom edge of the suspended ceiling tile.*



HMK-250/400: External dimensions in mm.

Product description

HMK250/400 – Plenum box [concealed mounting; reactive diffuser]

Additional product documentation HMK-250/400

Table 1: Additional documentation for HMK can be obtained via links on the product's website under Products at www.lindinvent.se

Document	Available	Not available	Comments
Installation Instruction	●		Combined installation instruction with diffuser installation MTC/MTN
Start-up instruction	●		See start-up instruction for MTC/MTN with instruction for flow distribution between several reactive diffusers in the same main duct.
Maintenance instruction		●	Regarded as maintenance-free
External connection diagram		●	Not applicable
Environmental product declaration	●		Assessed by Byggvarubedömningen and Sundahus
User information		●	Not applicable
Modbus list		●	Not applicable
AMA text		●	See AMA text for supply air diffuser MTC

Product documentation can be downloaded via
www.lindinvent.se/produkter/



Contact

www.lindinvent.se
Tel: 046-15 85 50

Lindinvent – Smarter indoor climate. **Greener** buildings.

The company offers products and systems for controlling ventilation, lighting, solar shading and local utilization. Equipment and climate solutions are being developed for offices, schools, hospitals, laboratories and similar working environments. Lindinvent's systems work together to provide high indoor comfort and the lowest possible energy use.