

Product description

HTK160/250 – Plenum box [concealed mounting; active diffuser]

Introduction HTK160/250

HTK is a plenum box for supply air diffuser TTC-250.

- It is used for concealed mounting above the dropped (suspended) ceiling system.
- Sound damping.
- Duct connection 160.
- It is fitted with brackets for bayonet fitting of the diffuser.
- Equipped with a hole where the cable from the fitted active supply air diffuser is to be anchored.
- Equipped with two mounting screws for Mounting Plate CBX. CBX, which can be attached to the mounting plate, is the junction box used for each active diffuser to connect additional equipment and to connect the controller unit in the diffuser to the communication loop.

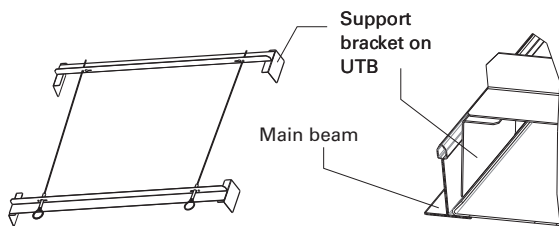
Function

The plenum box is used for mounting and securing Lindinvent's active ceiling supply air diffuser TTC-250 in a dropped ceiling.

Mounting rail UTB-250 (Accessory)

The mounting rail UTB is used and normally comes with the plenum box on delivery as a mounting accessory. The thickness of the ceiling plate(tile) must not exceed 40 mm and the profile should be one of the most common profiles on the market. In other cases, the plenum box is mounted without mounting rail. When ordering, type of ceiling plate (edge A / D / E etc.) is specified together with the distance from the bottom of the main beam to the lower ceiling plate.

Note: The thickness of the ceiling tile must not exceed 40 mm.



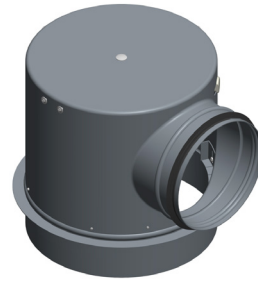
Mounting rail UTB with the support bracket correctly positioned on the inside of the dropped ceiling main beame. If cover plate UTD is used, the support bracket must be placed between the inside of the main beame profile and the outer edge of cover plate UTD.

Cover plate UTD-250 B (Option)

Suspended cover plate UTD-250 B can be ordered as an option. The plate is designed for mounting in a dropped (suspended) ceiling system with tile profile edge A, 600 x 600 mm.



Ceiling plate UTD-250 B is used with ceiling tile profile edge A.



HTK-160/250 – Plenum box for concealed mounting of the active supply air diffuser TTC-250.

Technical specifications

Dimensions (mm)

See illustrations below.

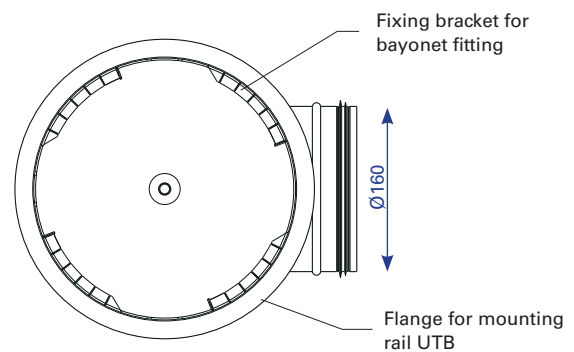
Material

Galvanised steel plate.

Insulation: Thermally bound polyester fibre.

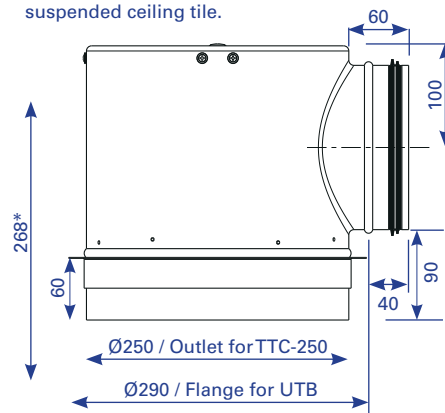
Weight

HTK-160/250: 1.9 kg.



HTK-160/250: View from below.

Note:* Height measurement from the bottom edge of the suspended ceiling tile.



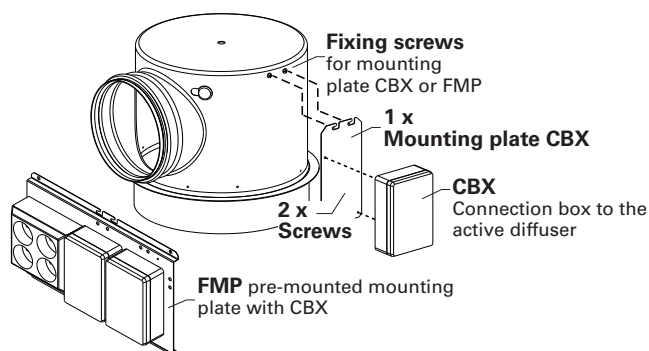
HTK-160/250: External dimensions in mm.

Product description

HTK160/250 – Plenum box [concealed mounting; active diffuser]

Mounting plate CBX and FMP (Accessory/option)

Mounting plate CBX is delivered with the plenum box as standard, while mounting plate FMP is an option; see the product description for FMP.



Mounting plate CBX is supplied with the plenum box. FMP can be ordered as an accessory to HTK with pre-mounted units. The mounting plate is fixed to the plenum box using the fixing screws that are already fitted on delivery.

Additional product documentation HTK

Table 1: Additional documentation for HTK can be obtained via links on the product's website under Products at www.lindinvent.se

Document	Available	Not available	Comments
Installation Instruction	●		Combined instruction with the installation instruction for TTC
Start-up instruction		●	Not applicable
Maintenance instruction		●	Regarded as maintenance-free
External connection diagram		●	Not applicable
Environmental product declaration	●		Assessed by Byggarbetsinspektionen and Sundahus
User information		●	Not applicable
Modbus list		●	Not applicable
AMA text		●	See AMA text for supply air diffuser TTC

Product documentation can be downloaded via
www.lindinvent.se/produkter/



Contact

www.lindinvent.se
Tel: 046-15 85 50

Lindinvent – Smarter indoor climate. Greener buildings.

The company offers products and systems for controlling ventilation, lighting, solar shading and local utilization. Equipment and climate solutions are being developed for offices, schools, hospitals, laboratories and similar working environments. Lindinvent's systems work together to provide high indoor comfort and the lowest possible energy use.