

Product description

HTR160/250 – Plenum box [visible mounting; active diffuser]

Introduction

HTR-160/250 is a plenum box for mounting supply air diffuser TTC-250.

- It is used for visible mounting.
- Sound damping.
- Duct connection 160.
- fixing brackets for bayonet fitting of diffuser.
- Has a hole to withdraw and anchor the cable from the supply air diffuser.

Function

The plenum box is used for visible mounting of Lindinvent's active supply air diffuser TTC-250.

Technical specifications

Dimensions (mm)

See the illustrations below.

Material

Powder coated steel plate.

Insulation: Thermally bound polyester fibre.

Colour

Standard: RAL 9003; Gloss 30

Can be ordered in other colours.

Weight

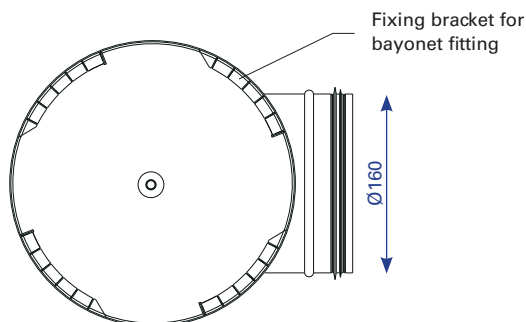
HTR-160/250: 2.1 kg.



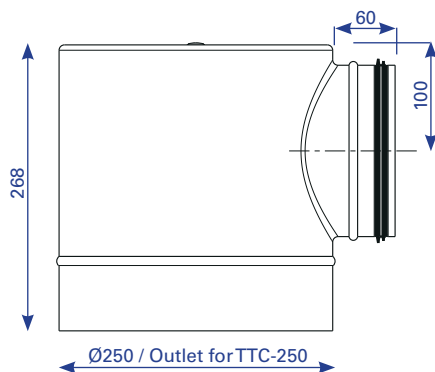
HTR – Plenum box for visible mounting of the active supply air diffuser TTC-250.



Visible mounting of the active supply air diffuser TTC with plenum box HTR.



HTR160/250: View from below.



HTR-160/250: External dimensions in mm.

Product description

HTR160/250 – Plenum box [visible mounting; active diffuser]

Additional product documentation HTR160/250

Table 1: Additional documentation for HTR can be obtained via links on the product's website under Products at www.lindinvent.se

Document	Available	Not available	Comments
Installation Instruction	●		See installation instruction for TTC
Start-up instruction		●	Not applicable
Maintenance instruction		●	Regarded as maintenance-free
External connection diagram		●	Not applicable
Environmental product declaration	●		Assessed by Byggvarubedömningen and Sundahus
User information		●	Not applicable
Modbus list		●	Not applicable
AMA text		●	See AMA text for supply air diffuser TTC

Product documentation can be downloaded via
www.lindinvent.se/produkter/



Contact

www.lindinvent.se
Tel: 046-15 85 50

Lindinvent – Smarter indoor climate. **Greener** buildings.

The company offers products and systems for controlling ventilation, lighting, solar shading and local utilization. Equipment and climate solutions are being developed for offices, schools, hospitals, laboratories and similar working environments. Lindinvent's systems work together to provide high indoor comfort and the lowest possible energy use.

Product description

HTR250/400 – Plenum box [visible mounting; active diffuser]

Introduction

HTR-250/400 is a plenum box for supply air diffuser TTC-400.

- It is used for visible mounting.
- Sound damping.
- Duct connection 250.
- Fixing brackets for bayonet fitting of diffuser.
- Has a hole to withdraw and anchor the cable from the supply air diffuser.

Function

The plenum box is used for visible mounting of Lindinvent's active supply air diffuser TTC-400.

Technical specifications

Dimensions (mm)

See the illustrations below.

Material

Powder coated steel plate.

Insulation: Thermally bound polyester fibre.

Colour

Standard: RAL 9003; Gloss 30

Can be ordered in other colours.

Weight

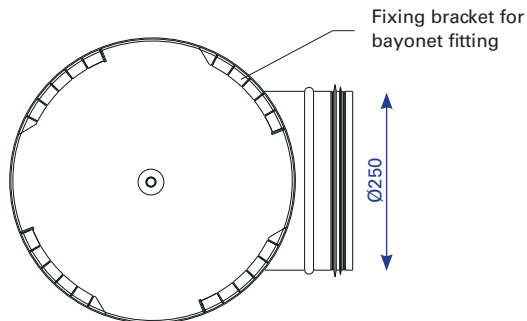
HTR-250/400: 4.8 kg.



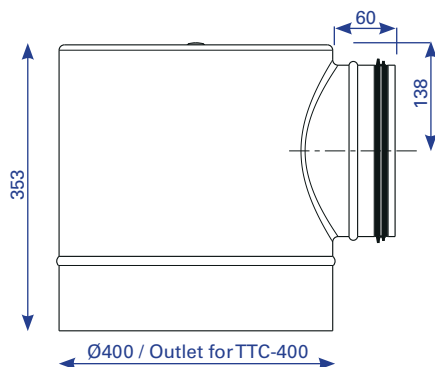
HTR250/400 – Plenum box for visible mounting of active ceiling supply air diffuser TTC-400.



Visible mounting of the active supply air diffuser TTC with plenum box HTR.



HTR-250/400: View from below.



HTR-250/400: External size in mm.

Product description

HTR250/400 – Plenum box [visible mounting; active diffuser]

Additional product documentation HTR250/400

Table 1: Additional documentation for HTR can be obtained via links on the product's website under Products at www.lindinvent.se

Document	Available	Not available	Comments
Installation Instruction	●		See installation instruction for TTC
Start-up instruction		●	Not applicable
Maintenance instruction		●	Regarded as maintenance-free
External connection diagram		●	Not applicable
Environmental product declaration	●		Assessed by Byggvarubedömningen and Sundahus
User information		●	Not applicable
Modbus list		●	Not applicable
AMA text		●	See AMA text for supply air diffuser TTC

Product documentation can be downloaded via
www.lindinvent.se/produkter/



Contact

www.lindinvent.se
Tel: 046-15 85 50

Lindinvent – Smarter indoor climate. **Greener** buildings.

The company offers products and systems for controlling ventilation, lighting, solar shading and local utilization. Equipment and climate solutions are being developed for offices, schools, hospitals, laboratories and similar working environments. Lindinvent's systems work together to provide high indoor comfort and the lowest possible energy use.