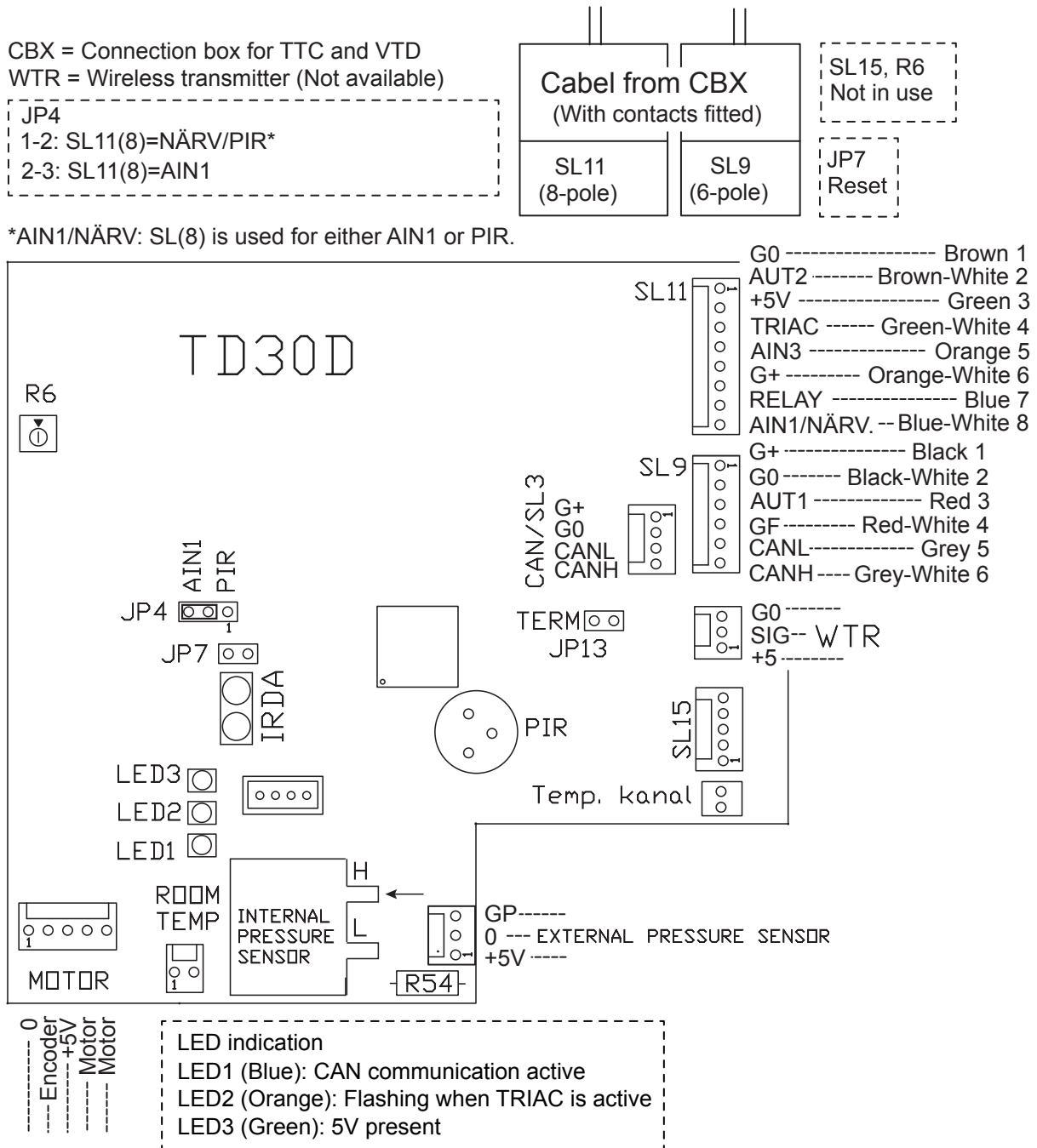


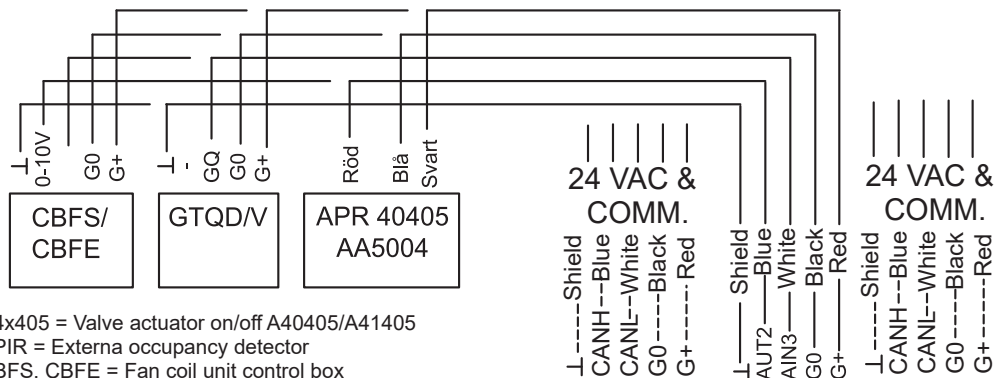


Active supply air diffuser – TTC and VTD

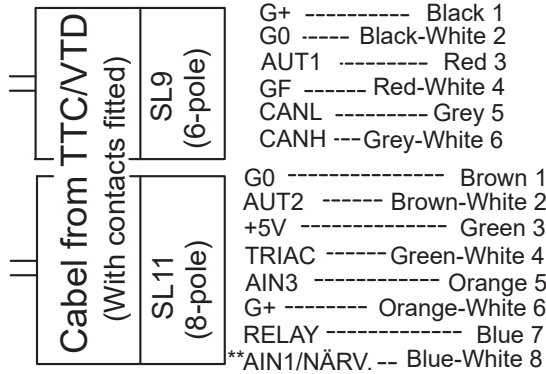


CBX – Connection box for TTC and VTD

For product information:



A4x405 = Valve actuator on/off A40405/A41405
 XPIR = Externa occupancy detector
 CBFS, CBFE = Fan coil unit control box
 CBR, CBRE = Relay box for lighting
 GTQD/V = Carbon dioxide sensor; Duct/V(Wall)
 GFI* = External airflow sensor with actuator
 TTC = Active roof mounted supply air diffuser
 VTD = Active wall mounted supply air diffuser
 APR 40405/AA5004 = Valve actuator 0-10V



Note*:
 GFI/DCV-SL is substituted for DCV-BL.

Note**:
 A jumper on the connected active diffuser PCB decides. See JP15 for TD11&TD20 and JP4 for TD30.

**AIN1/NÄRV: Used for either AIN1 or PIR.

