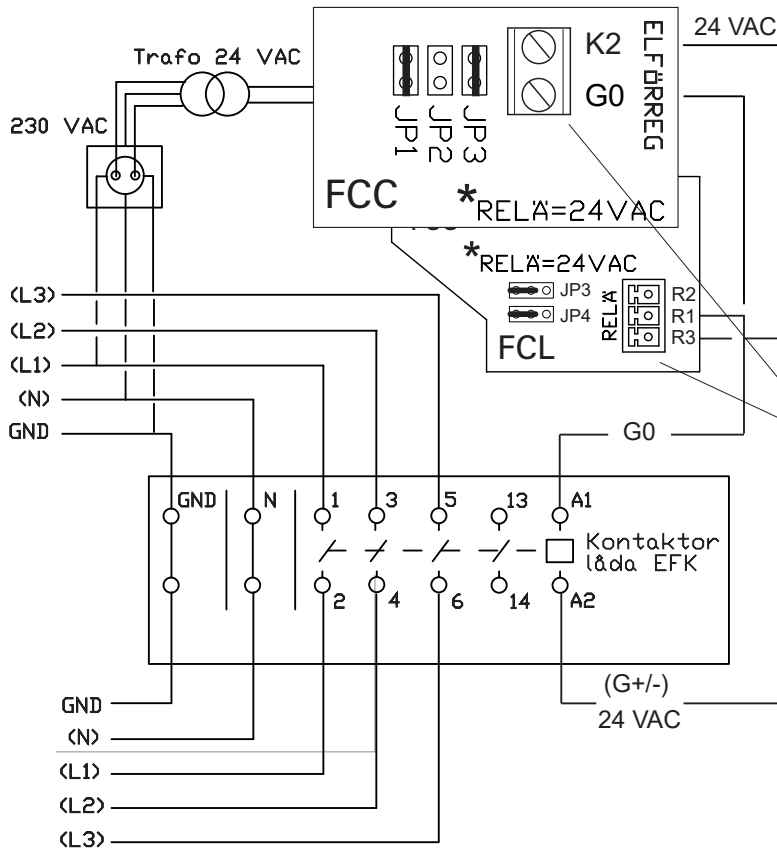


EFK – Electrical interlocking contactor

Example: 3-phase without external reset button [FCC och FCL]

* THE CONNECTOR IS SET FOR 24 VAC VIA JUMPERS. THE 24 VAC SETTING IS DEFAULT ON BOTH FCC AND FCL.



Interlocking function 24 VAC:

Controller FCC JP1: 1-2 JP2: - JP3: 1-2	Controller FCL JP3: 1-2 JP4: 1-2
--	--

Input voltage:

L1 - 1
L2 - 3
L3 - 5
N - N
GND - GND

230 VAC 
NOT TO BE CONNECTED DIRECTLY TO THE CONTROLLER

Socket outlet:

T1 - 2
T2 - 4
T3 - 6
N - N
GND - GND

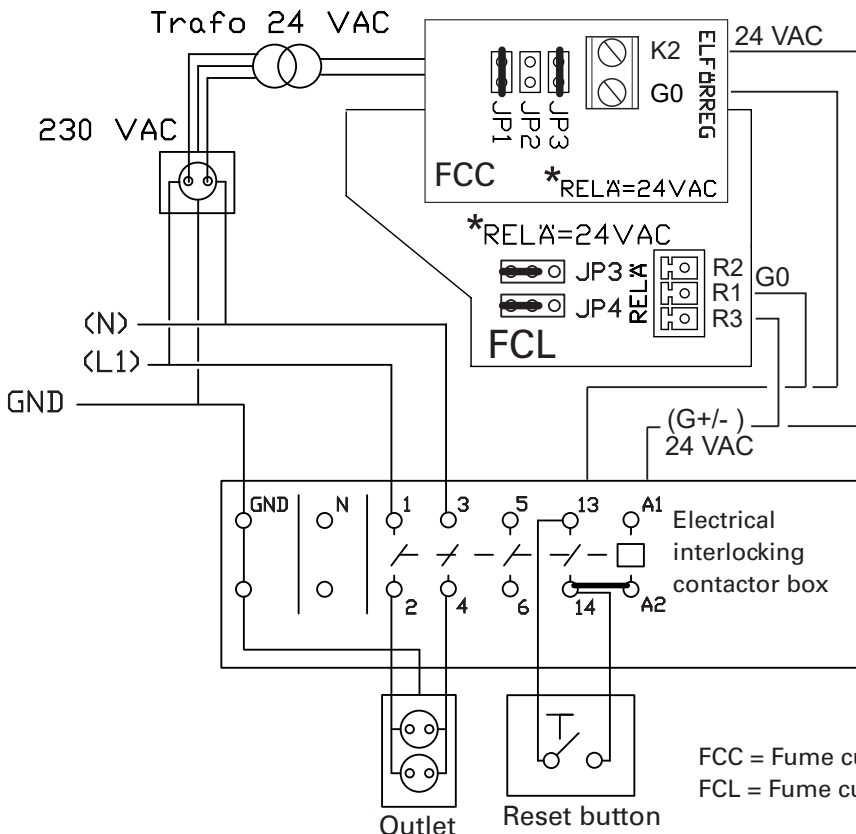
Relay "Relä" FCC:

G0 - A1
K2 - A2

Relay "Relä" FCL:

R1 - A1
R3 - A2

Exempel: 1-fas med extern återställning [FCC och FCL]



Input voltage:

L1 - 1
N - 3
GND - GND

Socket outlet:

T1 - 2
N - 4
GND - GND

Relay "Relä" FCC:

K2 - A1
G0 - 13

Relay "Relä" FCL:

R3 - A1
R1 - 13

Reset button:

- 13
- 14

Close:

A2 - 14

FCC = Fume cupboard controller
FCL = Fume cupboard controller