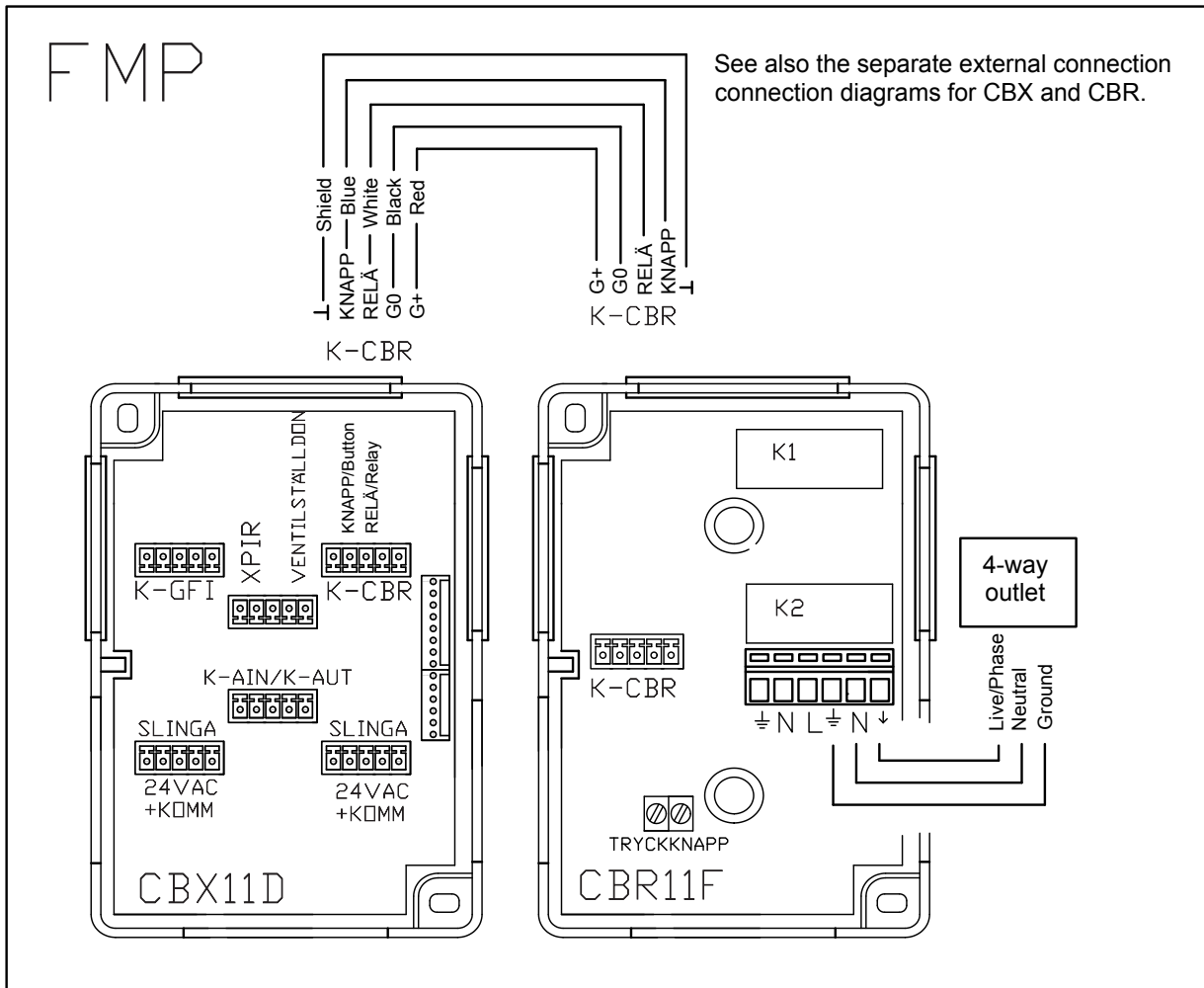


# FMP – Pre connected mounting plate CBX+CBR+Outlet



Assembly diagram for FMP (CBX+CBR)