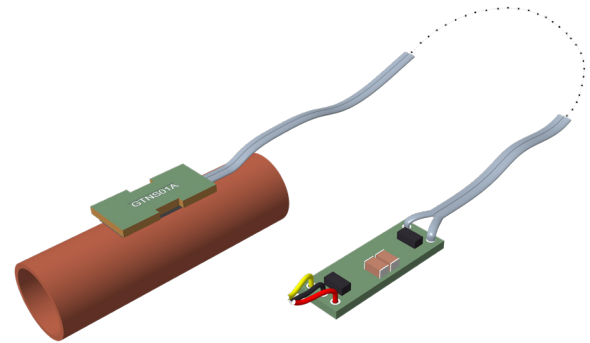


GT-P TEMPERATURE SENSOR CHILLED BEAM

(Accessory for room climate control)



Temperature sensor GT-P. Two modules connected by a cable. The pipe section is not included.

INTRODUCTION

GT-P is Lindinvent's sensor unit for temperature measurement on a chilled beam pipe.

FUNCTION AND PROPERTIES

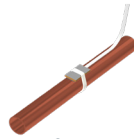
GT-P and Lindinvent's interface LINDINSPECT provide possibilities for troubleshooting:

- Non-functioning actuator
- Non-vented pipelines
- Clogged valves
- Incorrect pipe connection
- Transmission losses in pipe systems
- Condensation guard

The sensor unit consists of a sensor module and an AIN converter module. The modules are connected via an insulated 2-conductor wiring.

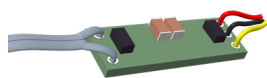


The sensor module



Sensor module mounted on pipe

The sensor module (20x10x5 mm) consists of a smaller circuit board with a temperature sensor. The module is attached to the pipe using a packing band.



The module for signal conversion, here without the protective shrink tube.

The signal conversion module (35x10x8 mm) has colored conductors for voltage supply and signal. The module is protected by shrink tubing and is placed and attached to the housing of the control unit according to instructions.

TECHNICAL SPECIFICATIONS

Temperature measurement

Type of sensor: Sensor with NTC thermistor
Accuracy: ± 2 K

General

Dimension

Sensor module: 20x10x5 mm

AIN converter: 35x10x8 mm (with a protective shrink tube fitted)

Cabling

Cabling included.

Standard length of cable, between modules: 3 m

Material

Circuit board: FR4

Cabling: Polyolifin, Halogene-free (EN 60754-1/2, IEC 60754-2)

Electrical system

Supply: 24 VAC (via connected controller)

Power: 0,1 VA

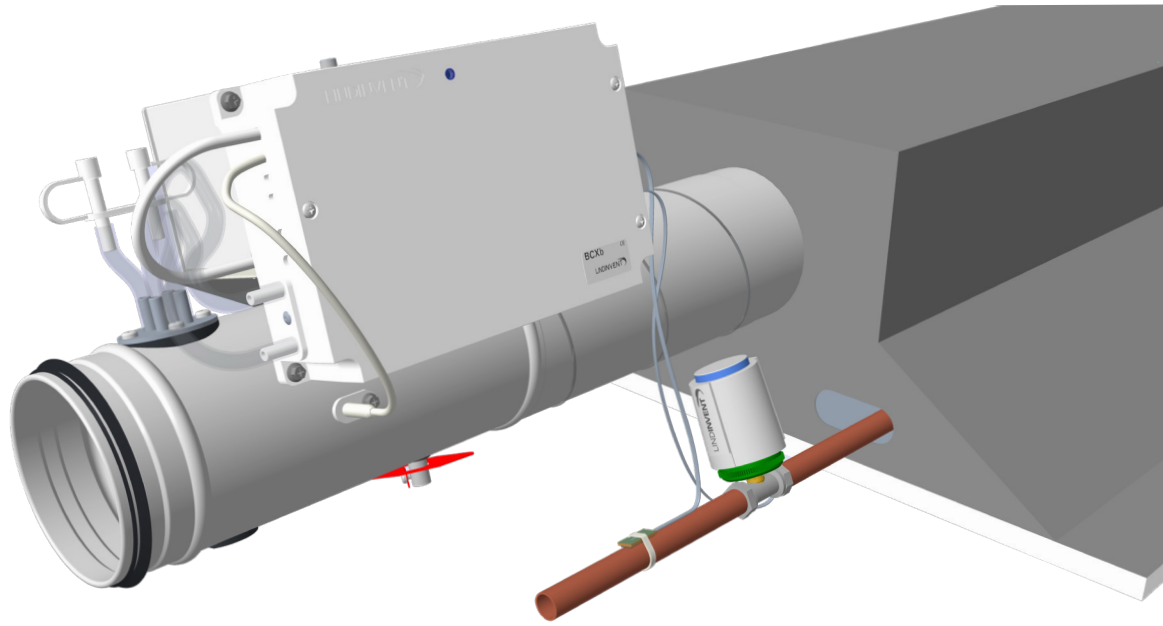
CE-markning: Complies with EMC and the low voltage directive

Input and output signals

24V AC (Red)

GND (Black)

AIN



GT-P in place. The sensor module is attached to the incoming cooling pipe. The signal conversion module and the valve actuator are both connected directly to the controller.

MOUNTING

NOTE: The control unit must be without voltage when GT-P is connected!

For guidance on suitable mounting, see illustrations here in the product description.

1. The sensor module is attached to the pipe using a cable tie.
2. The signal conversion module is connected to the control unit according to the external connection diagram.
3. An opening is made by pliers in the controller encapsulation. Select one of the openings for thinner cables.
4. The signal conversion module is placed and fastened, by a fixing pad, on the inside of the encapsulation bottom part.
5. The lid to the encapsulation is used both for protection and as strain relief for cables.

COMPLEMENTARY DOCUMENTATION

Document can be viewed on the product page at www.lindinvent.com

Document	Comments
Installation instructions	See instructions here in the GT-P product description.
Operation instructions	See the commissioning/operation instructions for the controller.
Maintenance instructions	The unit is considered maintenance free.
External connection diagram	Shows how conductors from equipment are connected.
Environmental product declaration	To be assessed by Byggvarubedömningen.
Modbus list	See the connected controller.
AMA-text	Look for AMA code UBB for temperature sensors. See the connected controller AMA and its accessories.