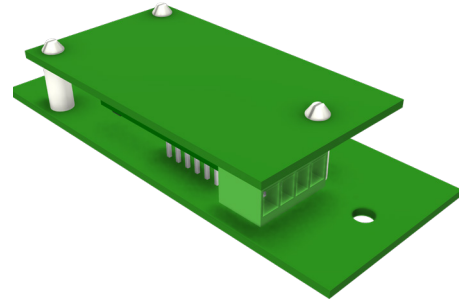


GQH-B CARBON DIOXIDE SENSOR

INTRODUCTION

GQH-B is a carbon dioxide sensor for installation in a chilled beam with controller BCXb.

The unit consists of a circuit board module with cabling for connection to BCXb. The circuit board module has no protective cover.

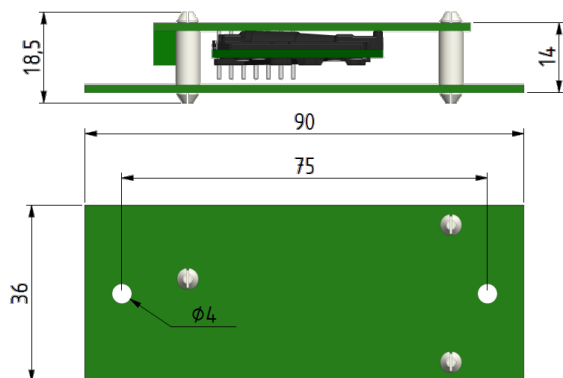


Carbon dioxide sensor GQH-B.

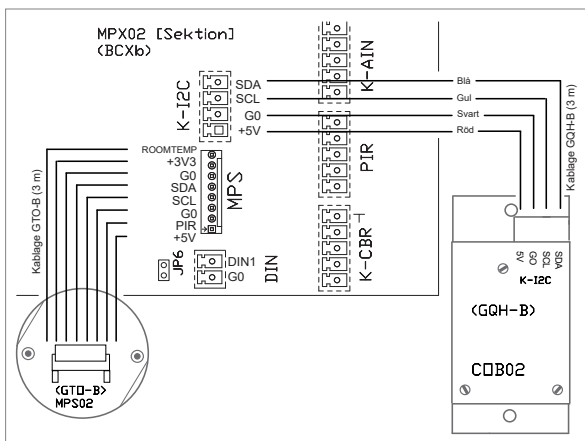
INSTALLATION

GQH-B is screwed to the inside of the chilled beam, above the grid. The location must ensure that the sensor is exposed to the co-ejected room air. The unit is connected to the I2C port on BCXb using the supplied cabling.

DIMENSION (MM)



CONNECTING TO BCXb



Section of the external wiring diagram to BCXb. The diagram shows where the wiring is plugged in.

TECHNICAL SPECIFICATIONS

Carbon Dioxide measurement

Range: 400 -10 000 ppm
Accuracy: $\pm (30 \text{ ppm} + 3\%)$ with background calibration against 400 ppm

Humidity measurement

Note: This feature is not implemented in BCXb. GQH-B is prepared for humidity measurement.

General

- Cabling : 4-conductor cable with connectors: Length 3 m. Material:
- Circuit board, FR4
- Cable with connectors in standard non halogenated thermo plastics
- No protective cover
- IP-klass: IP10.

Electrical system

- Supply: 5 V
- Power consumption: 0.1 VA
- CE-markning: Complies with EMC and the low voltage directive

Input and output signals

- Output signals
- I2C communication bus

COMPLEMENTARY DOCUMENTATION

Document can be viewed on the product page at www.lindinvent.com

Document	Comments
Installation instructions	See instructions here in the product description for GQH-B.
Operation instructions	See the commissioning/operation instructions for the controller.
Maintenance instructions	The unit is considered maintenance free.
External connection diagram	Shows how conductors from equipment are connected.
Environmental product declaration	To be assessed by Byggvarubedömningen.
Modbus list	See the connected controller.
AMA-text	Look for AMA code UBB for temperature sensors. See the connected controller AMA and its accessories.